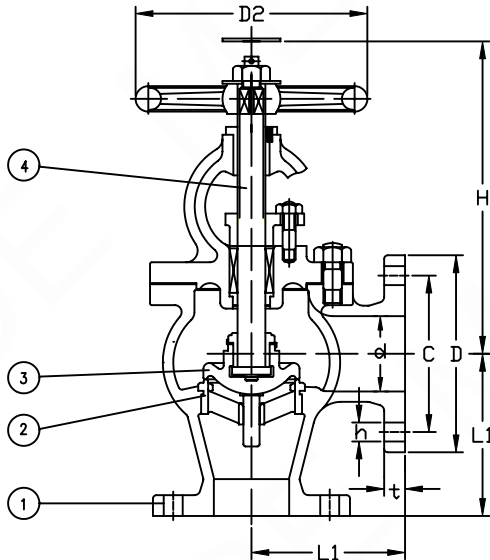
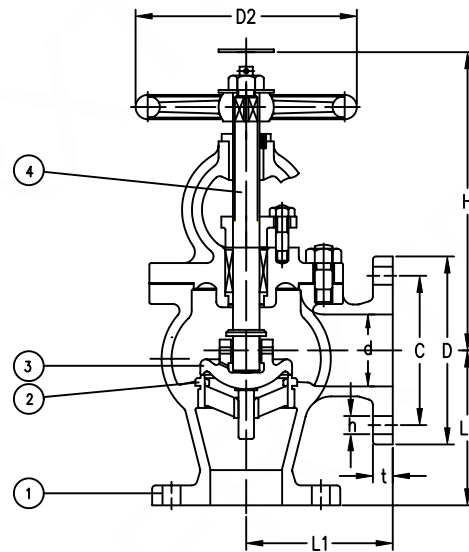


**MXT-F7320 - JIS 10K**
**Cast Steel Angle Valve**
**MXT-F7472 - JIS 10K**
**Cast Steel Angle Valve (SDNR)**

Manufactured in accordance to JIS F7400

Flanges as per JIS B2220 - 10K


**MXT-F7320**

**MXT-F7472C**

| Part Nr.        | Material        |
|-----------------|-----------------|
| <b>1 - Body</b> | Cast Steel      |
| <b>2 - Seat</b> | Stainless Steel |
| <b>3 - Disc</b> | Stainless Steel |
| <b>4 - Stem</b> | Stainless Steel |

|      | Test pressure MPa [kgf/cm <sup>2</sup> ] |
|------|--|
| Body | 2.06 [21.0]                              |
| Seat | 1.51 [15.4]                              |

| Size | L   | D   | C   | No. | h  | t  | H   | D2  | Kg   |
|------|-----|-----|-----|-----|----|----|-----|-----|------|
| 050  | 120 | 155 | 120 | 4   | 19 | 16 | 240 | 160 | 16.3 |
| 065  | 130 | 175 | 140 | 4   | 19 | 18 | 260 | 200 | 23   |
| 080  | 140 | 185 | 150 | 8   | 19 | 18 | 265 | 200 | 25.3 |
| 100  | 160 | 210 | 175 | 8   | 19 | 18 | 300 | 250 | 37   |
| 125  | 180 | 250 | 210 | 8   | 23 | 20 | 350 | 280 | 57.1 |
| 150  | 205 | 280 | 240 | 8   | 23 | 22 | 400 | 315 | 77.2 |
| 200  | 230 | 330 | 290 | 12  | 23 | 22 | 480 | 355 | 116  |
| 250  | 290 | 400 | 355 | 12  | 25 | 24 | 535 | 400 | 188  |
| 300  | 320 | 445 | 400 | 16  | 25 | 24 | 610 | 450 | 256  |